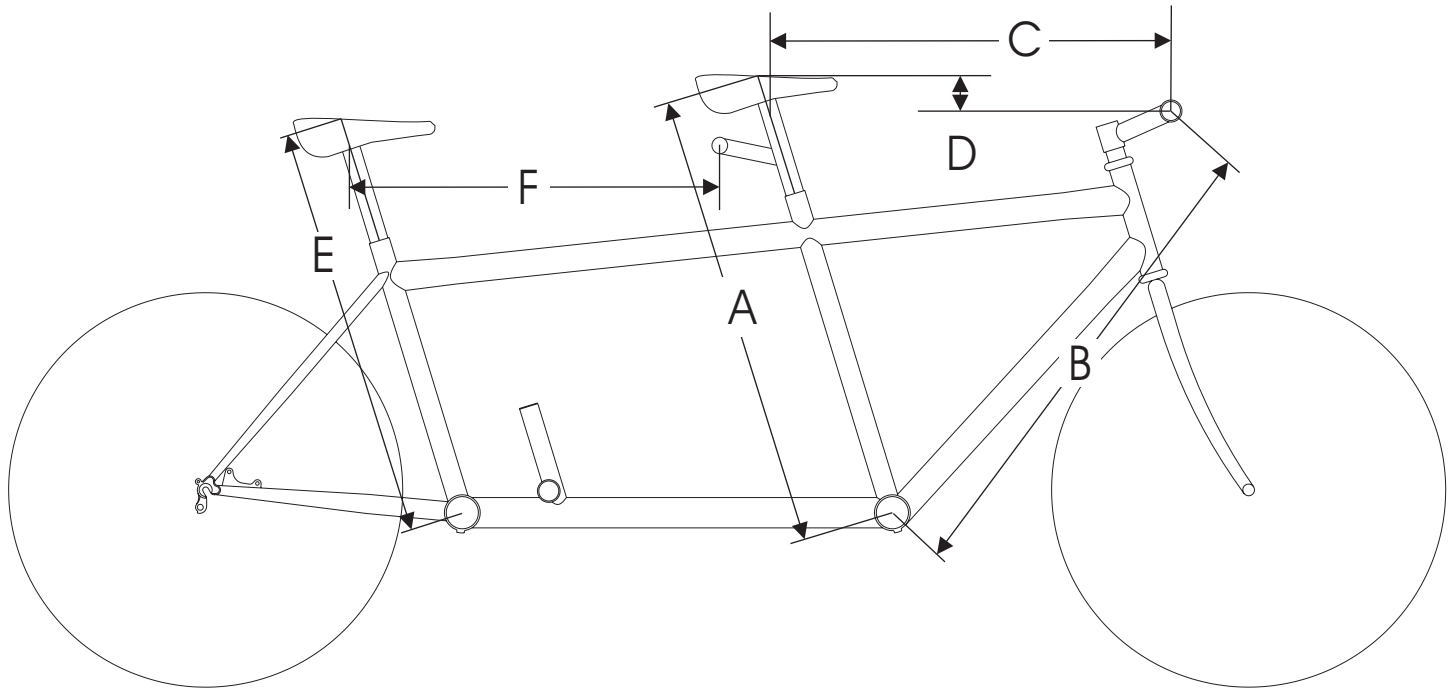


Fitting Measurements



A) Measure from the top of the saddle to the centerline of the crank spindle. be sure to measure along the seat tube (at the same angle).

B) Center of handlebar stem to center of crank spindle.

C) This one is probably the most important and the hardest to measure correctly. Measure from the center of the handlebar stem to the center of the seatpost, parallel to the ground. Use a level if you have access to one because if the angle is off the dimension will be incorrect.

D) Top of the saddle to the center of the handlebar stem. Again, a level would be very helpful for this measurement. If you handlebars are higher than the saddle, be sure to let us know.

E) Same as A above, but for the stoker position.

F) Same as C above, but for the stoker position.